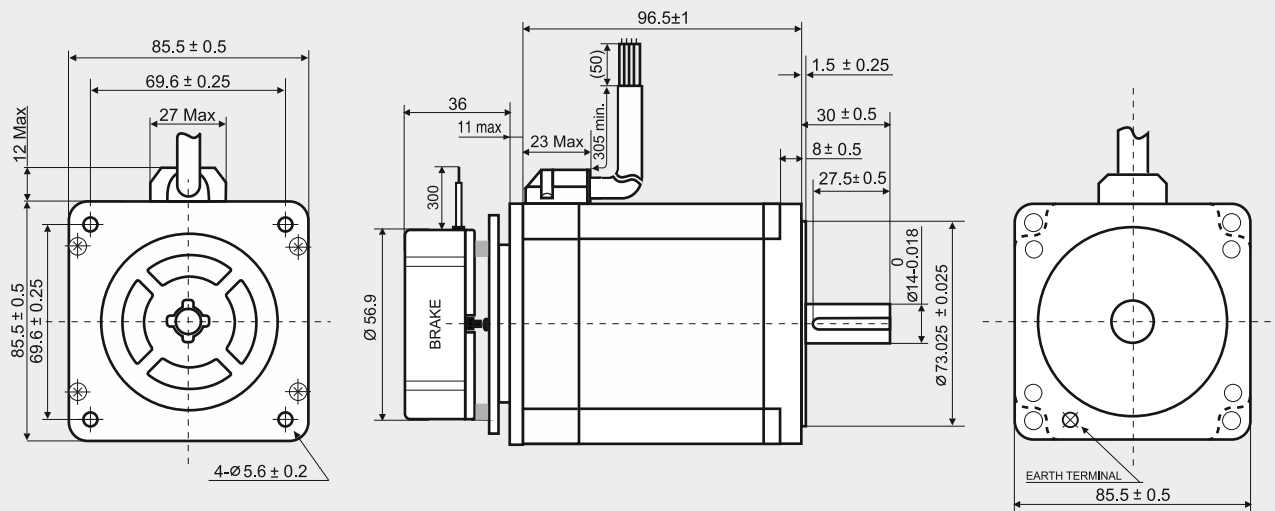


# SM 2862-5125.B

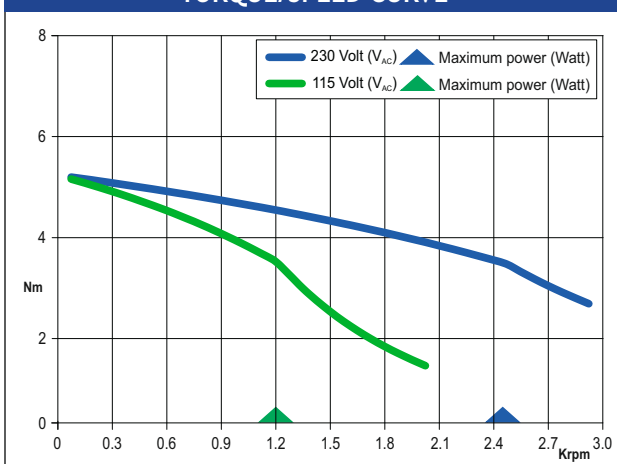
## Dimensions (Unit:mm)



## SANYO DENKI MOTOR FEATURES

MODEL	SM 2862-5125.B
SANYO DENKI MOTOR CODE	SM 2862-5125
BASIC STEP ANGLE	1.8° ± 0.09°
BIPOLAR PARALLEL CURRENT (Amp)	4.0
RESISTANCE (Ohm)	0.83
INDUCTANCE (mH)	6.4
BIPOLAR HOLDING TORQUE (Ncm)	700
ROTOR INERTIA (Kg <sup>m</sup> × 10 <sup>-7</sup> )	3000
THEORETICAL ACCELERATION (rad × sec. <sup>-2</sup> )	23300
BACK E.M.F. (V/Krpm)	175
MASS (Kg)	3.4
INTERNATIONAL STANDARDS	UL, CSA
INSULATION VOLTAGE (V)	250 VAC (350 VDC)
PROTECTION DEGREE - INSULATION CLASS	IP43 - F
LEADS CODE	V

## TORQUE/SPEED CURVE



R.T.A. s.r.l. PAVIA (ITALY) SANYO DENKI CO., Ltd (JAPAN)

## BRAKE FEATURES

STATIC TORQUE (Nm)	3.3
DUTY CYCLE	50% max.
VOLTAGE (Volt)	24 VDC
POWER (W)	11
RELEASE TIME (ms)	300



## Suggested R.T.A. drive series: 230 Vac X-PLUS



R.T.A. s.r.l.  
Via E. Mattei - Fraz- Divisa  
27020 Marcignago (PV) (Italy)  
T +39.0382.929.855  
F +39.0382.929.150  
www.rta.it

R.T.A. Deutschland GmbH  
Bublitzer Strasse 34, 40599  
Duesseldorf (Germany)  
T +49.211.749.668.60  
F +49.211.749.668.66  
www.rta-deutschland.de

R.T.A. IBERICA  
C/Generalitat 22, Local 1  
08850 Gava - Barcelona (Spain)  
T +34 936.388.805  
F +34 936.334.595  
www.rta-iberica.es

R.T.A. INDIA Pvt  
Teerth Business Center 3<sup>rd</sup> Floor, Unit No. 7,  
Block EL-15, MIDC Bhosari Pimpri-Chinchwad,  
Pune 411026 (India)  
Tel. +91 9422507445  
www.rta-india.in